

# Product data sheet

Specifications



## Power relay, SE Relays, DPDT, 40A, 24 VDC, open type, heavy duty

199X-18

Product availability: Non-Stock - Not normally stocked in distribution facility

Price\*: 39.21 USD

### Main

Product Type	Power relay
Switch Function	DPDT
Contact Composition	2 C/O
Cover Type	Open cover

### Complementary

Input Current	40 A
Short Circuit Current	3 kA
Associated Fuse Rating	50 A gG at 690 V coordination type 2 for power circuit
Average Pole Impedance	4 mOhm
Contacts Material	Silver alloy contacts
Wire Strip Length	0.3 in (8 mm)
Rated Operational Voltage	6...600 V AC 50-60 Hz 6...250 V DC
Minimum Switching Current	1000 mA 5 V AC/DC
Coil Resistance	1200 Ohm
Input voltage	48 V DC
Drop-out Voltage Threshold	$\geq 0.1 U_c$ AC/DC
Rated Operational Current	40 A at 300 V AC (on resistive load) conforming to UL 40 A at 28 V DC (on resistive load) conforming to UL 5 A at 480 V AC (on resistive load) conforming to UL 5 A at 600 V AC (on resistive load) conforming to UL 15 A at 120 V AC (tungsten filament) conforming to UL
Power consumption in W	4 W DC
Power consumption in VA	10 VA AC
Voltage Range	0.85...1.1 $U_n$ AC/DC
Maximum Switching Voltage	600 V DC
Motor Power HP	2 hp 120...600 V AC 50/60 Hz
Connections Terminals	screw terminal - 1 x 0.009 in <sup>2</sup> (6 mm <sup>2</sup> )
Terminal Tightening Torque	10.6...15.05 lbf.in (1.2...1.7 N.m)

### Environment

Price is "List Price" and may be subject to a trade discount – check with your local distributor or retailer for actual price.

<b>Ambient Air Temperature for Operation</b>	-67...131 °F (-55...55 °C)
<b>Ambient Air Temperature for Storage</b>	-67...212 °F (-55...100 °C)
<b>Product Certifications</b>	UL Listed CSA CE
<b>Electrical Durability</b>	100000 cycles resistive DC load
<b>Dielectric Strength</b>	2200 V AC between coil and contact 2200 V AC between poles 1500 V AC between open contacts

## Ordering and shipping details

<b>Category</b>	US10CP221127
<b>Discount Schedule</b>	0CP2
<b>GTIN</b>	3606480276071
<b>Returnability</b>	No
<b>Country of origin</b>	CN

## Packing Units

<b>Unit Type of Package 1</b>	PCE
<b>Number of Units in Package 1</b>	1
<b>Package 1 Height</b>	2.50 in (6.36 cm)
<b>Package 1 Width</b>	3.13 in (7.94 cm)
<b>Package 1 Length</b>	2.31 in (5.88 cm)
<b>Package 1 Weight</b>	10.4 oz (295 g)

## Sustainability

**Green Premium™** label is Schneider Electric's commitment to delivering products with best-in-class environmental performance. Green Premium promises compliance with the latest regulations, transparency on environmental impacts, as well as circular and low-CO<sub>2</sub> products.

**Guide to assessing product sustainability** is a white paper that clarifies global eco-label standards and how to interpret environmental declarations.

[Learn more about Green Premium >](#)

[Guide to assess a product's sustainability >](#)



Transparency RoHS/REACH

## Well-being performance

✓ Reach Free Of Svhc

✓ Toxic Heavy Metal Free

✓ Mercury Free

✓ Rohs Exemption Information Yes

## Certifications & Standards

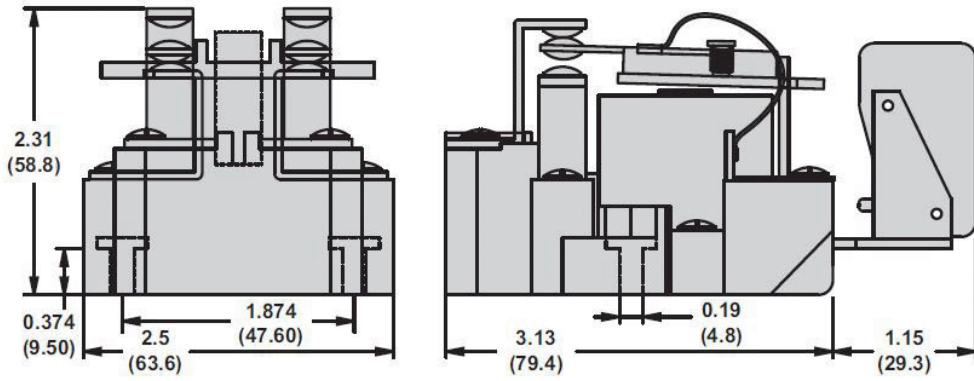
<b>Reach Regulation</b>	<a href="#">REACH Declaration</a>
<b>Eu Rohs Directive</b>	Pro-active compliance (Product out of EU RoHS legal scope) <a href="#">EU RoHS Declaration</a>
<b>China Rohs Regulation</b>	<a href="#">China RoHS declaration</a>
<b>Environmental Disclosure</b>	<a href="#">Product Environmental Profile</a>
<b>Weee</b>	The product must be disposed on European Union markets following specific waste collection and never end up in rubbish bins.
<b>Circularity Profile</b>	No need of specific recycling operations
<b>California Proposition 65</b>	WARNING: This product can expose you to chemicals including: Nickel compounds, which is known to the State of California to cause cancer, and Di-isodecyl phthalate (DIDP), which is known to the State of California to cause birth defects or other reproductive harm. For more information go to <a href="http://www.P65Warnings.ca.gov">www.P65Warnings.ca.gov</a>

Dimensions Drawings

Approximate Dimensions

---

DPDT – Long Base (shown w/optional Auxiliary Switch)



Connections and Schema

Connections and Wiring Diagrams

---

